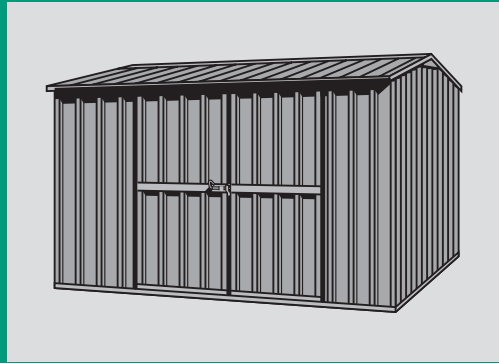


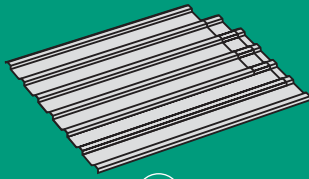
Gable Roof Model
OPTIONAL DOUBLE DOORS



*Easy***SHED**[®]
5 Step Assembly

A popular style with a large storage area for work and play
Model 3.00m x 3.00m x 2.10m

COMPONENT CHECK LIST - EasySHED



(A)

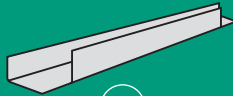
4x Plain Sheets (Step 1)
780 x 1800mm * •

(B)

8x Roof Sheets (Step 3)
780 x 1600mm #

(C)

2x Door Sheets (Step 4A)
780 x 1740mm *



(D)

4x Cut-out Channel
3000mm long (Step 1 5)



(E)

6x U Channel (Step 2 3)
3000mm long

(F)

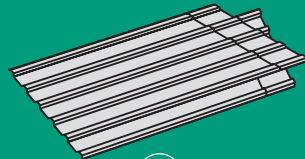
4x U Channel (Step 4A)
780mm long

(G)

2x U Channel (Step 4A)
1740mm long *

(H)

2x Door Space Channel
1575mm long • (Step 5)



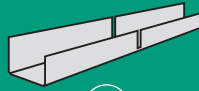
(I)

8x Gable Sheets (Step 2)
780mm wide *



(J)

2x Gussets (Step 2)
400mm wide



(K)

2x Apex Channel (Step 2)
3055mm long



(L)

4x L Flashing (Step 3)
1600mm long



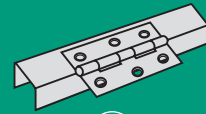
(M)

1x Ridge Beam (Step 3)
3000mm long



(N)

2x Door Straps (Step 4A)
780mm wide



(O)

2x U Channel with Hinges
1740mm * (Step 4A)



(P)

4x Door Brace (Step 4B)
1880mm long *



(Q)

2x Z Door Jamb
1800mm * (Step 4B)

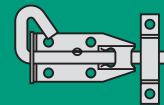
(R)

1x Door Rest
1740mm * (Step 5)



(S)

2x Narrow Sheets (Step 4B)
710 x 1800mm * •



(T)

3x Padbolt & Hasp (Step 5)
To secure the door ‡

(U)

1x Fixing Pack (Steps 1-5)
3.2mm pop rivets can be used

OPTIONAL EXTRAS

Refer to separate instructions for component list and installation sequence.

* Sheet and Channel height will vary with Extra Height option

1x(A) cut out for Window option # 1x Fibreglass Sheet replacement with Skylight option

• Sliding Door option 2x(A) replace 2x(S), 1420mm (H)

‡ 1x(T) replaced by optional Lock.

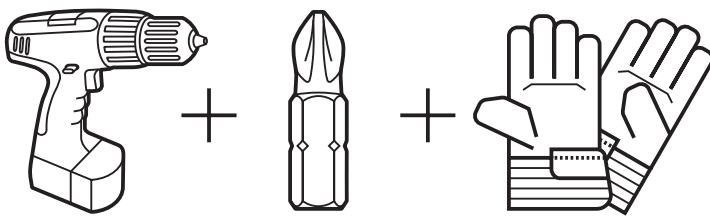
EasySHED[®]

5 Step Assembly

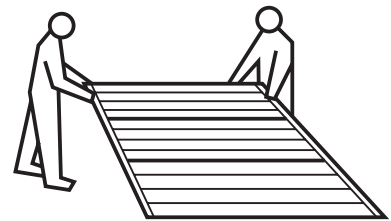
Method of Assembly for 3.00m x 3.00m x 2.10m Gable Roof Shed.

This Gable Roof Shed is made up of five (5) modular panels - Front, Back, Roof and two (2) Gable Side panels. Each modular panel is assembled by fixing the components supplied as per the drawings and instructions. Complete the assembly of the five modular panels before beginning the installation of your shed.

Optional Extras. If your shed includes options, refer to the separate assembly instructions for the installation sequence.

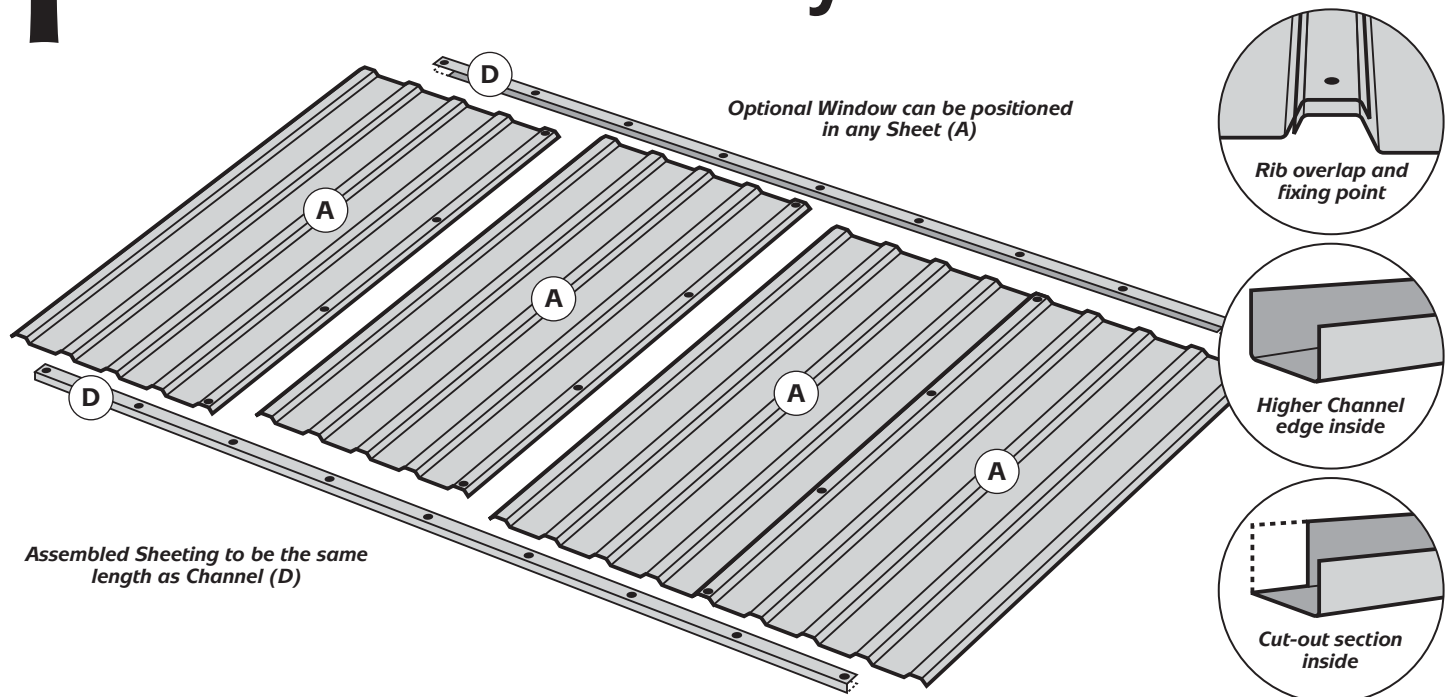


The only tool required to assemble your EasySHED is a Power Drill with Phillips Head attachment. Safety Gloves are recommended.



Two people are recommended when handling the panels and some fixing operations.

1 Back Panel Assembly



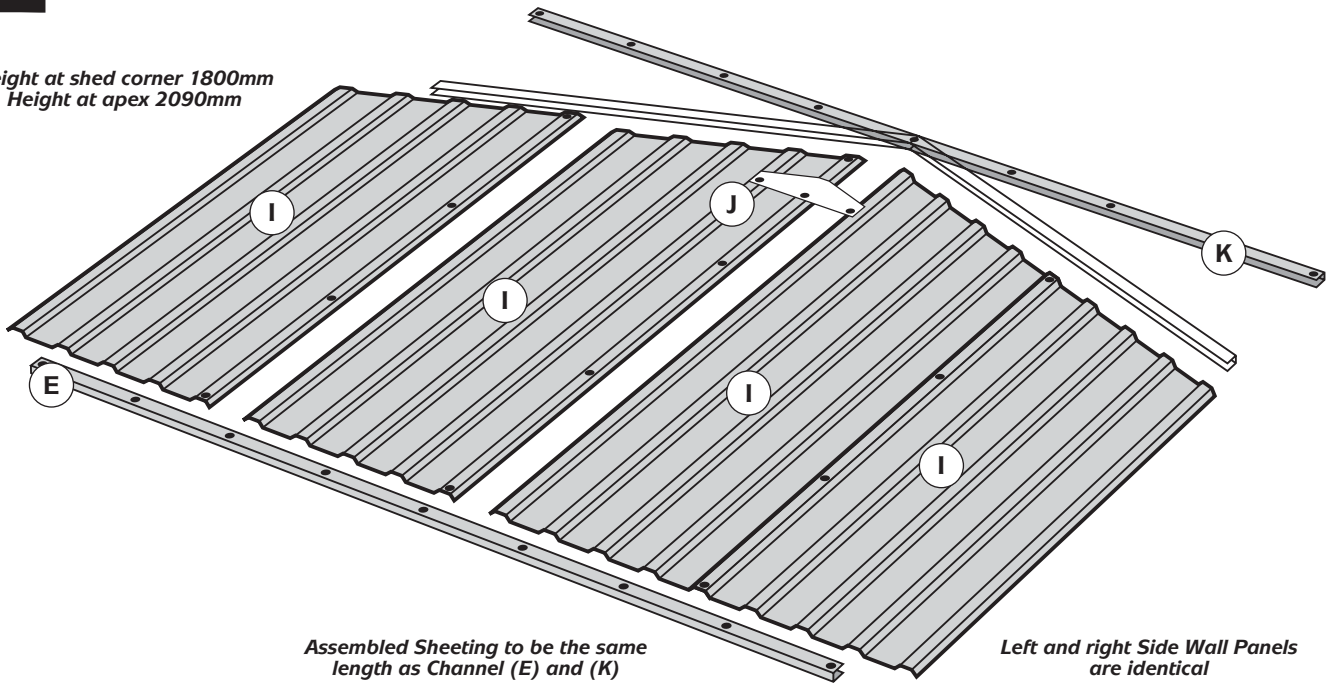
Note: Do not attempt to assemble your shed in windy weather because of risk of damage to panels, or personal injury. When installed, sheeting ribs face outward for all panels. Pre-drilling not required when using self-tapping screws supplied.

Back Panel Components • 4x Plain Sheets (A) 780 x 1800mm • 2x Cut-out Channel (D) 3000mm long

Step 1 Overlap one rib of each Sheet (A). Fix at four points. **Step 2** Position Channel (D) on the top of the Sheeting with the cut-out sections on the inside. Fix at the corners and at every second rib. Repeat for the bottom Channel (D).

2 Assembly Side Panels x2

Height at shed corner 1800mm
Height at apex 2090mm

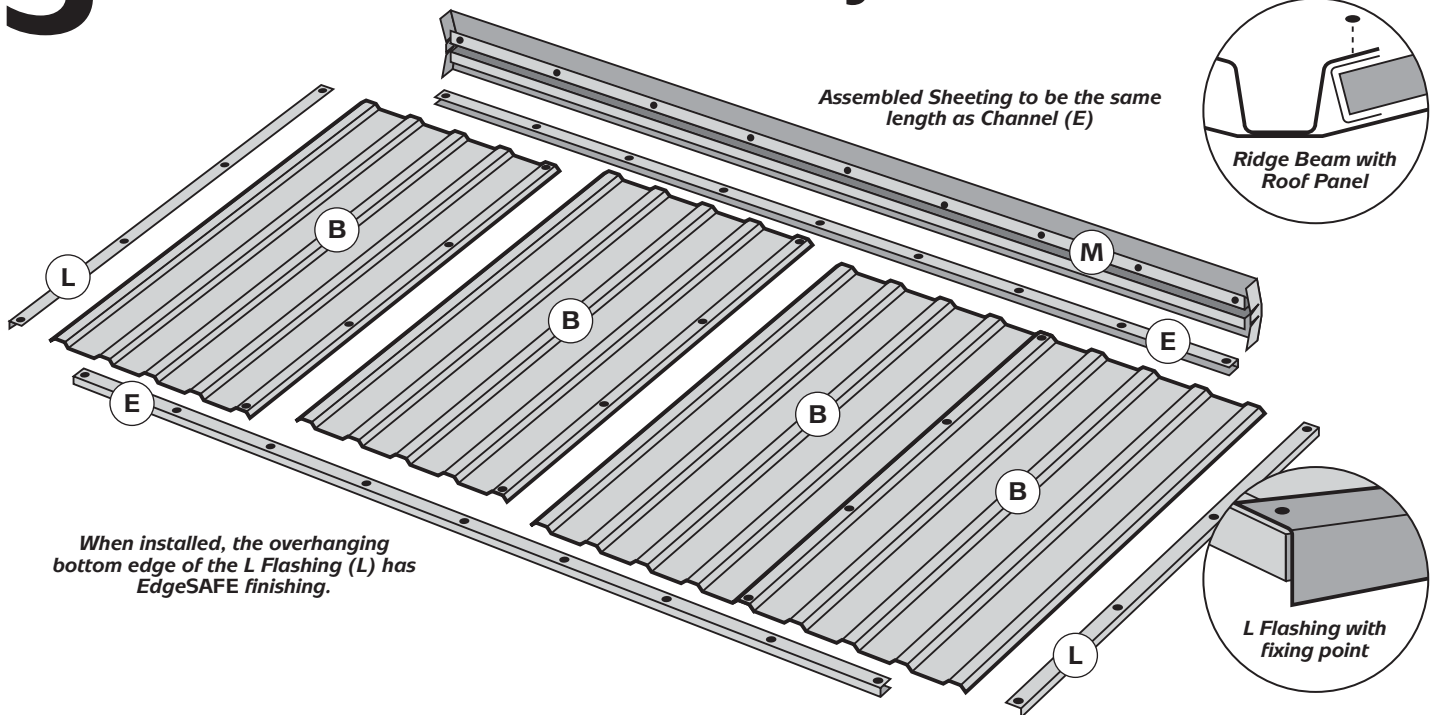


Side Panel Components • 8x Gable Sheets (I) 780mm • 2x U Channel (E) 3000mm long
• 2x Gussets for Gable apex (J) • 2x Apex Channel (K) 3055mm long

Step 1 Overlap one rib of each Sheet (I). Fix at four points. **Step 2** Position Channel (E) on the bottom of the Sheeting. Fix at the corners and at every second rib. **Step 3** Position Gusset (J) at the apex of the gable. Fix at three points.

Step 4 Gently bend the Apex Channel (K) to form the gable shape. Position on the top of the Sheeting. Fix at the corners and at every second rib. **Step 5** Repeat for the second Gable Side which is identical to the first.

3 Roof Panel Assembly



Roof Panel Components • 8x Roof Sheets (B) 780 x 1600mm • 4x U Channel (E) 3000mm long
• 4x L Flashing (L) 1600mm long • 1x Ridge Beam (M) 3000mm long

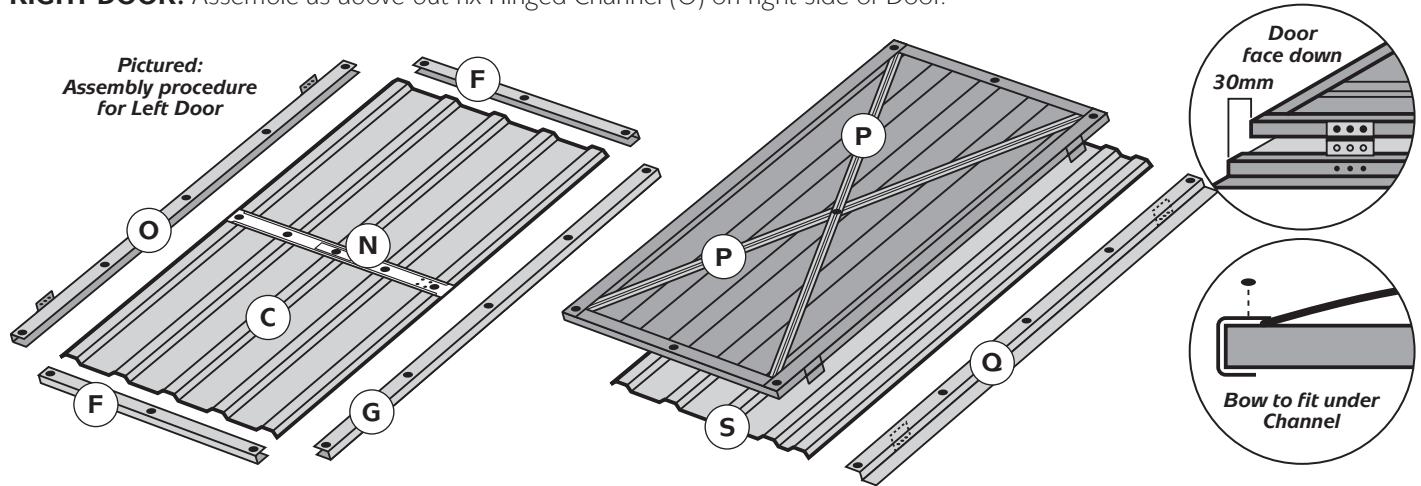
Step 1 Overlap one rib of each Sheet (B). Fix at four points. **Step 2** Position U Channel (E) on top of Sheeting. Fix at the corners and every second rib. Repeat for bottom U Channel (E). **Step 3** Position L Flashing (L) on sides of the Sheeting and fix at four points, each side. **Step 4** Repeat Steps 1 2 and 3 for the opposite side of the Roof. **Step 5** With Ridge Beam (M) and one Roof panel only face down, position panel fully into slot. Fix at the corners and at every second rib.

4 Door Assembly/Hanging the Doors

Door Assembly Components • 2x Door Sheets (C) 780 x 1740mm • 4x U Channel (F) 780mm long
 • 2x U Channel (G) 1740mm long • 2x Door Straps (N) 780mm • 2x U Channel with Hinges (O) 1740mm

LEFT DOOR: Step 1 Position U Channel (F) on top of Door Sheet (C). Fix at three points. Repeat for bottom U Channel (F).
Step 2 Centre Door Strap (N) on Door front and fix to all ribs. **Step 3** Position U Channel (G) on right and fix at five points.
Step 4 Position U Channel with Hinges (O) on left and fix at five points.

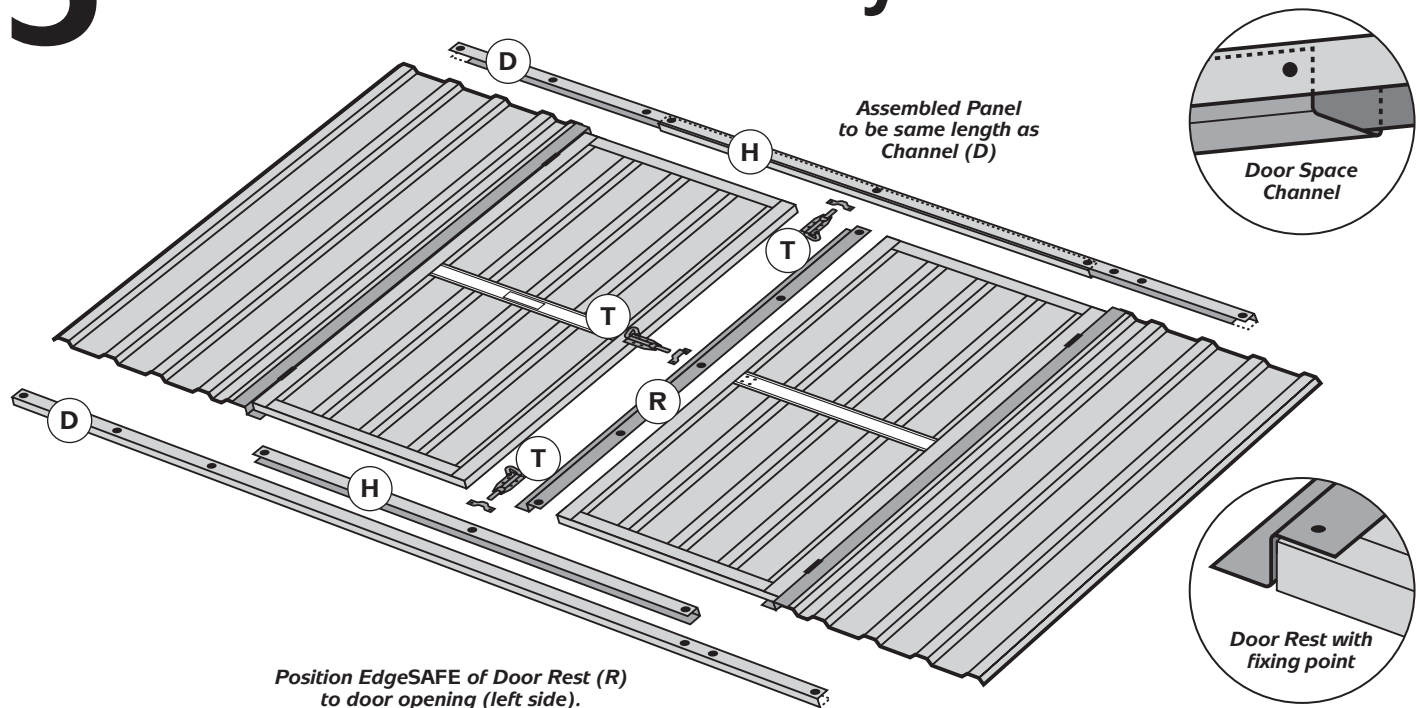
RIGHT DOOR: Assemble as above but fix Hinged Channel (O) on right side of Door.



Hanging Door Components • 4x Door Brace (P) 1880mm • 2x Z Door Jamb (Q) 1800mm
 • 2x Narrow Sheets (S) 710 x 1800mm • Plus 2x Assembled Doors

LEFT DOOR: Step 1 Position Bracing (P) on back of Door, diagonally under Channel. Fix at corners and diagonal centre, plus top and bottom of U Channel for extra strength. **Step 2** Fix Z Door Jamb (Q) at five points to right side of Narrow Sheet (S) (EdgeSAFE to right). **Step 3** Lay Door face down 30mm from top and bottom of Narrow Sheet (S). Fix the Hinges through side of Z Door Jamb (Q). **RIGHT DOOR:** Repeat for Right Door with fixing on the left side.

5 Front Panel Assembly



Front Panel Components • 1x Door Rest (R) 1740mm • 2x Cut-out Channel (D) 3000mm
 • 2x Door Space Channel (H) 1575mm • 3x Padbolts and Hasps (T) • Plus 2x pre-hung Doors

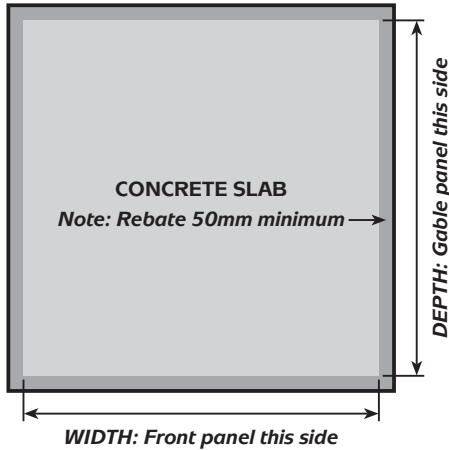
Step 1 Fix Door Rest (R) at five points to the Right Door. **Step 2** Position Channel (D) (cut-out sections inside) on top of the Sheeting and Doors. Fix to Sheeting at every second rib. Repeat for bottom Channel (D). **Step 3** Position top Door Space Channel (H) over Channel (D) between Z Door Jamb. Fix at three points. Repeat for bottom Door Space Channel (H). **Step 4** Fix one Padbolt and Hasp (T) to the door centre (outside) and top and bottom of the Right Door (inside).

Temporary & permanent anchoring

Please note: It is essential to firmly anchor your *EasySHED* as soon as assembly is complete, otherwise there is a risk of damage to panels, property or persons. The installation site for the shed must be reasonably level. Check that the shed is rectangular at floor level (the diagonal measurements should be equal).

Permanent anchoring on a Concrete Slab.

Rebated concrete slab dimensions and the recommended minimum number of anchors for your shed size are set out below. There are three recommended methods of laying concrete slabs for permanently fixing your *EasySHED*.



EasySHED SPECIFICATIONS
Width 3.00 metres (Front) Depth 3.00 metres (Gable) Height 1.80 metres at the door

REBATED SLAB DIMENSIONS
Width 2.95metres Depth 2.95 metres Rebate 50mm minimum

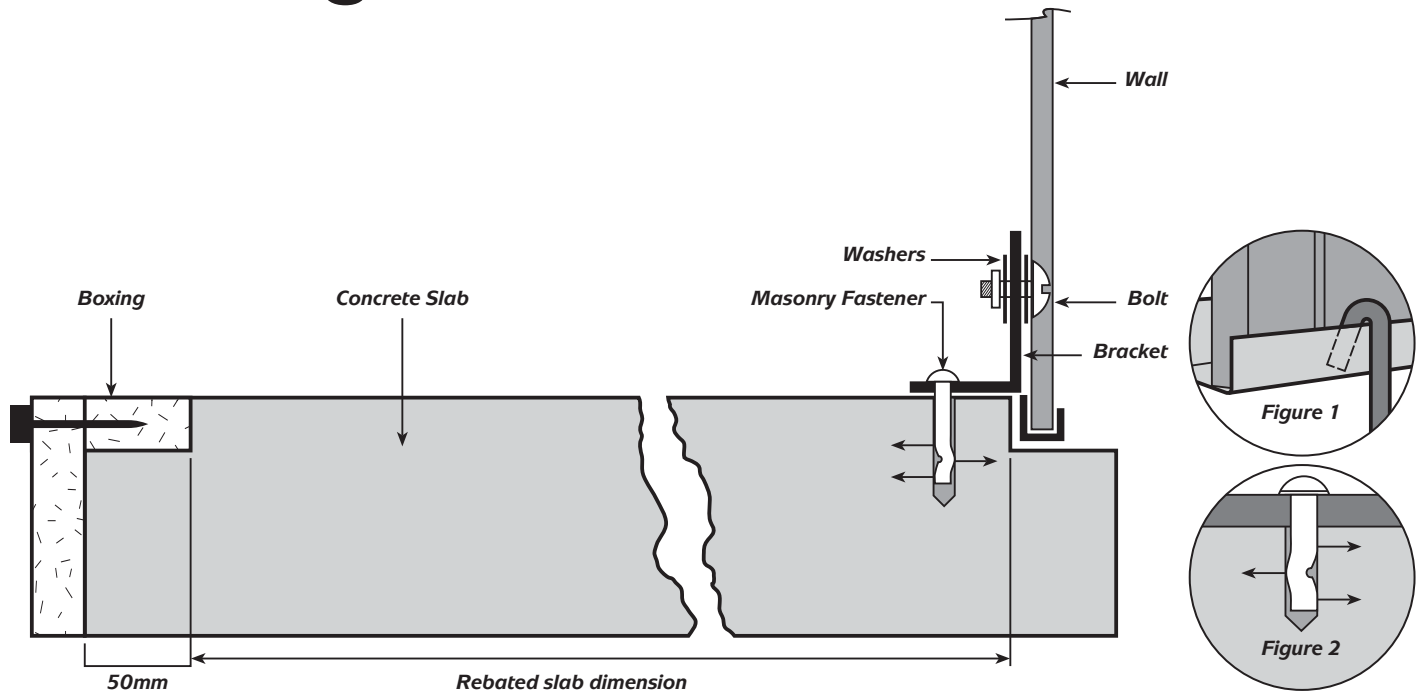
NUMBER OF ANCHORS
This *EasySHED* requires a minimum of eight temporary or permanent anchors.

Method A Garden sheds maybe anchored to the ground and a concrete slab poured inside. Galvanised surfaces should be protected from direct contact with wet concrete (which has a corrosive action) by taping a strip of plastic sheet up the wall for 150-200mm and laying it out from the wall for some distance.

Method B Sheds maybe anchored to an existing concrete slab using the Concrete Fixing Set (anchor brackets and bolts).

Method C A concrete slab with a stepped or rebated edge will prevent rainwater from running under the wall of the shed.

Anchoring Instructions



Anchor Peg Instructions: Step 1 Anchoring is provided by driving galvanised Anchor Pegs into the ground with the hook end fastened over the bottom channel of the walls from either the inside or outside of the shed, refer to Figure 1.

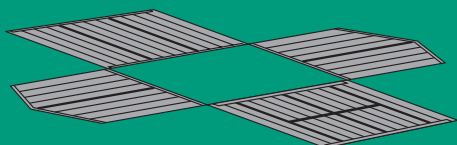
Concrete Fixing Set Instructions: Step 1 Using a 6.5mm diameter masonry drill, position the bracket and drill a 50mm deep (approximately) hole in the concrete. **Step 2** Drive the masonry anchor through the bracket into the anchor hole until the head is firmly seated against the bracket. Be sure that the anchor is driven to the required embedment depth, refer to Figure 2.

Step 3 Drill through bracket into wall of Shed with 6mm steel drill and secure with nut, bolt and washer supplied.

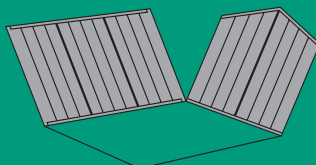
5 STEP INSTALLATION - EasySHED

When installed, ribs in sheeting face outward for all panels.

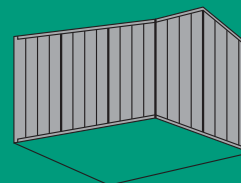
If desired, 3.2mm pop rivets can be used instead of the self tapping screws provided. Sheds installed without adequate anchoring to the ground or concrete could be extensively damaged in windy weather. Do not attempt to assemble shed in windy weather because of risk of damage to panels, or personal injury.



STEP 1 Layout the four wall panels in the correct order



STEP 2 Raise the Back Panel and one Side Wall



Fix at five points through the corner rib overlap

SIDE AND WALL ASSEMBLY

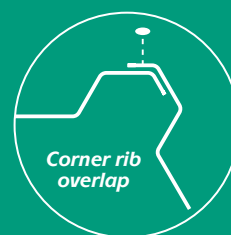
STEP 1 Layout the wall panels in correct order with ribbed side of the sheeting facing down.

STEP 2 Raise the Back Panel and position one Side Wall so that the corner ribs overlap.

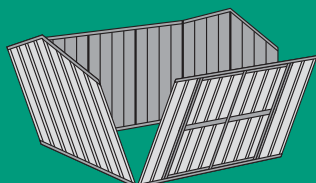
Make sure that the top and bottom channel of the Side Wall Panel fully enter the cut-away sections in the channel of the Back Panel. It may be necessary to bend the cut-out channel end open a little to accept the Side Wall. Working from outside the shed, fix through the rib overlap at the shed corner, driving the self tapping screws firmly home (refer right). Fix at five points. Work from top to bottom.

STEP 3 Repeat Step 2 to complete the second Side Wall of the shed.

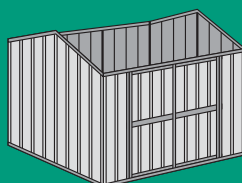
STEP 4 Bring the Front (door panel) up to Side Walls and fix at five points on each side. The walls are now securely fastened. Square the walls making sure that the diagonal measurements are equal.



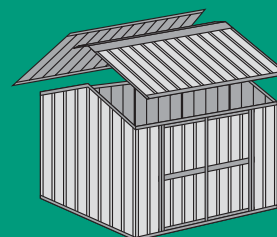
Corner rib overlap



STEP 3 Secure the second Side Wall and Front Panel



STEP 4 The four walls are now securely fastened



STEP 5 Position and fix the Roof Panels

FIXING THE ROOF

STEP 5 Position the Roof Panel (with the ridge beam attached) over the apex of the gable. Working from the outside, fix through the L Flashing into the top channel of the Side Walls at four points on each side. Position the second Roof Panel into the Ridge Beam and working from inside the shed, fix at the corners and every second rib.

Fix through the L Flashing into the top channel as before.

Finally, fix at 500mm intervals through the roof sheeting into the top channels of the Front and Back Panels ensuring that the channels are straight.

ADJUSTMENT OF THE DOOR BOLT

If the site is not quite level, as often happens, the padbolt may not slide easily into the hasp. This may be adjusted by levering up the wall and packing beneath it, either immediately below the bolt or immediately below the hinges. A trial will soon show which is required.

This adjustment should be made before final anchoring of the Front Panel.

Warning. The Manufacturer accepts no responsibility for damage to person or property resulting from the inadequate anchoring of the shed whether installed by the Manufacturer, their Agents or by any other person.

GUARANTEED FOR QUALITY.

EasySHED are manufactured for quality and strength, and warranted for a period of up to 15 years from the date of purchase.

Retain your proof of purchase to effect your warranty period. Contact the Manufacturer for warranty inclusions.

© COPYRIGHT. All Rights Reserved.

The content and concepts contained in this publication are protected by International and Australian Copyright Law.

Other than as provided for by Law, no part may be copied, reproduced or stored in any form using any method without the prior written permission of Durabuilt Products.

The Durabuilt logo, name, *EdgeSAFE*® *EasySHED*® and *PANELplus*® are registered trade marks of Durabuilt Products.

The information contained in this publication is intended to give a fair description of the products.

It does not constitute any offer by the manufacturer, nor does the manufacturer warrant or guarantee its accuracy or completeness in describing the various products.

Product specifications may change without notice.